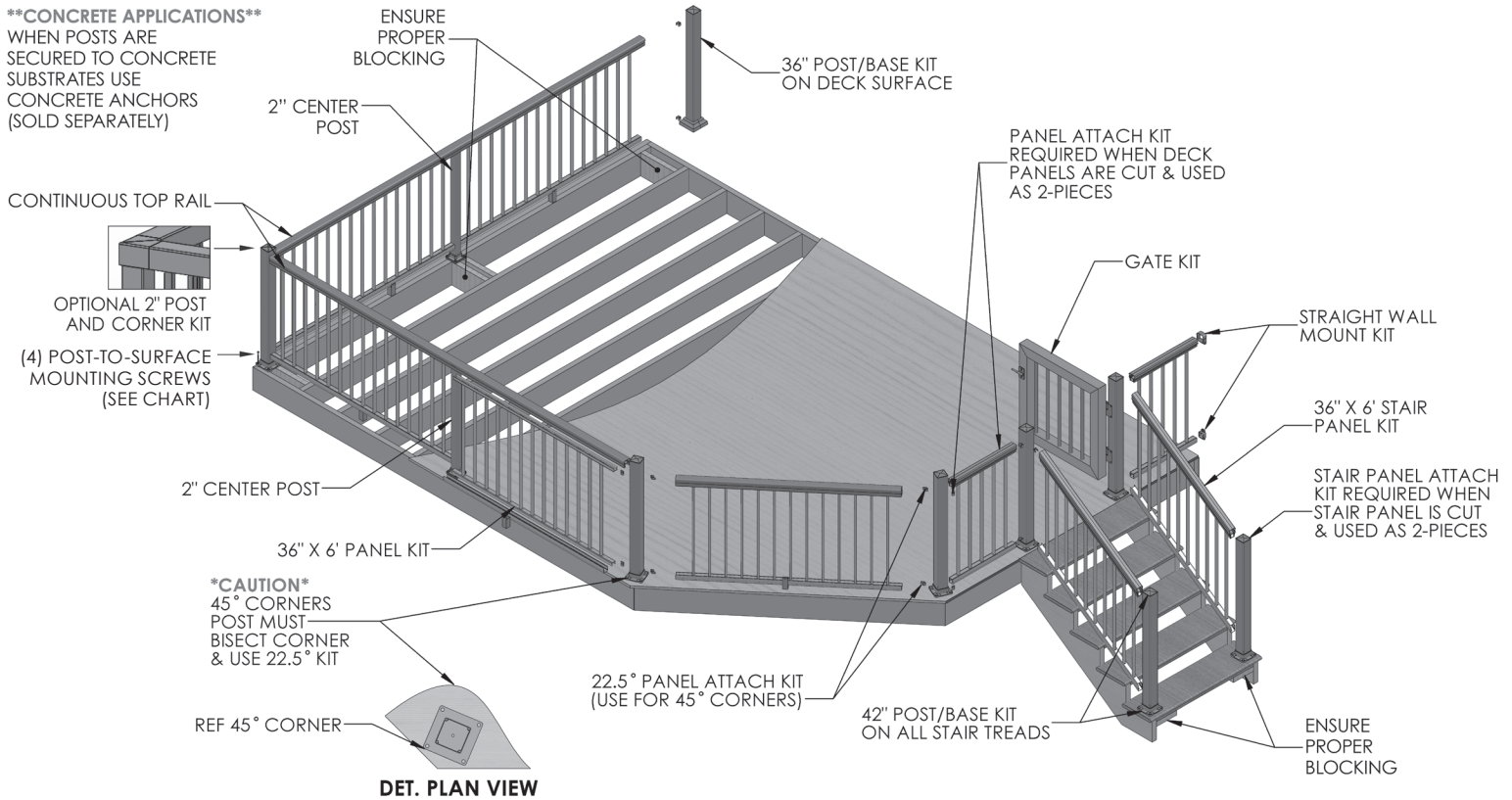


ALUMINUM BALUSTER RAILING WITH CONTINUOUS TOP RAIL INSTALLATION INSTRUCTIONS

****CONCRETE APPLICATIONS****
WHEN POSTS ARE SECURED TO CONCRETE SUBSTRATES USE CONCRETE ANCHORS (SOLD SEPARATELY)



DET. PLAN VIEW

ITEMS REQUIRED FOR INSTALLATION:

- Appropriate fasteners for mounting posts to deck surface
- Cordless Drill/Driver
- Pencil
- Safety Glasses
- Miter Saw W/Non-Ferrous Blade
- Level
- Tape Measure
- 6" #2 Sq. Drive Bit
- 3/16" Drill Bit

IMPORTANT NOTES:

- Actual picket panel sizes: 6' Panels = 69.43"; 8' Panels = 91.31".
- 3" posts are required to reach 6' & 8' lengths.
- Stair railing panels are shipped at a 37° angle. Panels are adjustable and will accommodate 30-40° stair angles. **CAUTION:** Over adjusting stair panels will cause loose and rattling pickets.
- 45° deck angles require 22.5° clips applied to each side of the post. The 22.5° clip kit is sold **SEPARATELY**.
- Using two posts at top of stairs is recommended if compound angle cut is required.

NOTE: IF INSTALLING POST LIGHTING, WIRING MUST BE INSTALLED PRIOR TO SECURING POSTS TO DECK/STAIR SURFACE AND INSTALL IN TOP RAIL SNAPS.

It is the responsibility of the installer to meet all local code requirements and obtain all required building permits. The installer should determine and implement appropriate installation techniques for each installation situation. The manufacturer or its reseller shall not be held responsible for improper or unsafe installations.

STEP ONE – Determine necessary posts required and prepare (end, center or corner)

NOTES: When planning layout, Continuous Top Rails are only available in 18' lengths. On 2" posts, ensure lower clips and screw chases are oriented in-line with panels

Install Lower Deck Rail Clips – Two Options:

Option A - When No Lower Rail Clip Jig Is Available

- Measure 2 7/8" from top of casting shoulder and place a pencil mark for location of the top edge of the rail clip. (Dia. #1)
- Center clip on post and secure with (2) - #8x3/4" Self-tapping screws.

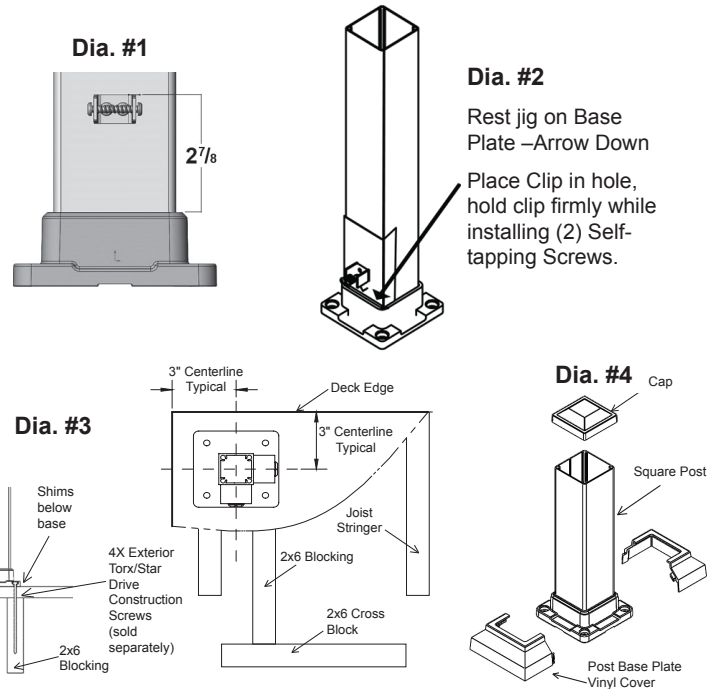
Option B - Using Lower Rail Clip Jig

- Place lower rail clip jig (w/arrow facing down) on top of base plate upper edge. (Dia. #2)
- Place clip in hole and fasten with (2) - #8x3/4" Self-tapping screws.

STEP TWO - Secure Posts to Deck

Install proper post blocking as per (Dia. #3). Use proper post-to-surface mounting screws or anchors as indicated (not included in post kits).

- With 3/16" drill bit, pre-drill through deck boards and into blocking.
- Level and plumb post using shims (not included).
- Secure posts to deck with suggested screws, ensuring lower clips and screw chases are in-line with panels
- Install post caps and base plate covers only after entire railing assembly (including stair railing) is completed. (Dia. #4)



POST-TO-SURFACE MOUNTING SCREWS:

- 3" Posts – Residential Deck Applications – 5/16" X 6" Exterior Torx/Star Drive Construction Screws
- 3" Posts – Commercial Deck Applications – 3/8" X 6" Exterior Torx/Star Drive Construction Screws
- 2" Posts – Res. & Com. Deck Applications – 3/8" x 6" Exterior Torx/Star Drive Construction Screws
- 3" Posts – Residential Concrete Applications – Tapcon® 5/16" x 3" Hex Washer Head Concrete Anchor