



INSTALLATION INSTRUCTIONS

FOR OTHER INSTRUCTIONS AND VIDEOS, VISIT
WWW.ULTRALOX.COM

2" ALUMINUM POST DECK INSTALLATION

It is the responsibility of the installer to meet all local code requirements and obtain all required building permits. The installer should determine and implement appropriate installation techniques for each installation situation. ULTRALOX® or its reseller shall not be held responsible for improper or unsafe installation.

SUGGESTED TOOLS: Cordless Drill, 3/16" Drill Bit, #2 Sq. Driver Bit, 5/8" Drill Bit (optional), and Safety Glasses.

IMPORTANT NOTE: Do not install base plate cover until railing assembly is completed. 3" posts are required to reach 6' and 8' lengths. 2" posts must be set in-line to panel.

CAUTION! IF INSTALLING LIGHTING, WIRING MUST BE INSTALLED PRIOR TO SECURING POSTS TO DECK SURFACE AND INSTALLING TOP RAIL SNAPS.

STEP ONE - Determine necessary posts required and prepare (end, center or corner post configurations)

Note: For 2" Posts, must install with center screw chases in-line with panel (Dia. A).

- Refer to Panel Install Instructions. Install lower clip on post and secure with (2) - #8x3/4" TEK screws. Clips are located in the Panel Kit.

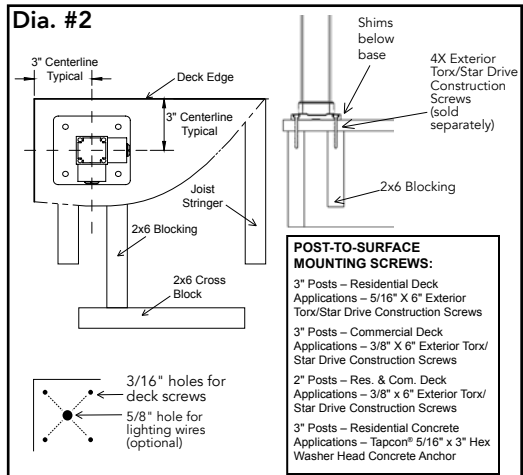
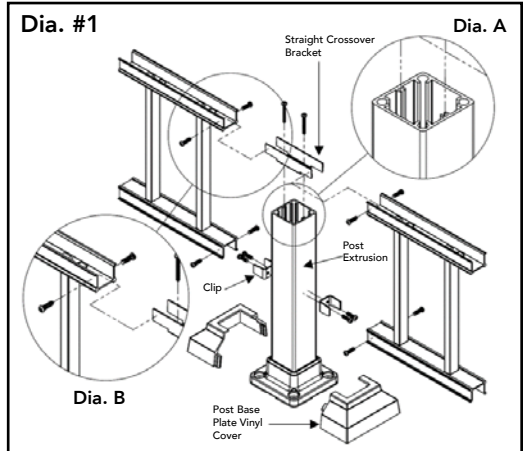
STEP TWO - Securing Posts to Deck

Install proper post blocking as per (Dia. #2). Use proper attachment screws or anchors as directed below. (Deck screws at each post location, are not included with kits).

- With 3/16" drill bit, pre-drill through deck boards and into blocking.
- Drill a 5/8" hole in center of four deck screw holes for lighting wires (optional).
- Level and plumb post using shims.
- Secure posts to deck with suggested screws.

STEP THREE - Install Crossover Bracket and Base Plate Vinyl Cover

- With #2 Sq. driver bit, fasten straight crossover bracket (included) into post with (2) - #8x1.5" TEK Screws. (Dia. A) **Note: TEK Screws must be installed in screw chases in-line with panels.**
- With #2 Sq. driver bit, fasten H-channel to straight crossover bracket with (4) - #8x3/4" TEK Screws. (Dia. B) Repeat for lower clips.
- Install base plate vinyl cover after railing assembly is completed. (Dia. #1)





INSTALLATION INSTRUCTIONS

FOR OTHER INSTRUCTIONS AND VIDEOS, VISIT
WWW.ULTRALOX.COM

2" ALUMINUM POST STAIR INSTALLATION

It is the responsibility of the installer to meet all local code requirements and obtain all required building permits. The installer should determine and implement appropriate installation techniques for each installation situation. Ultralox® or its reseller shall not be held responsible for improper or unsafe installation.

SUGGESTED TOOLS: Cordless Drill, 3/16" Drill Bit, #2 Sq. Driver Bit, 5/8" Drill Bit (optional), and Safety Glasses.

IMPORTANT NOTE: Do not install base plate cover until railing assembly is completed. 3" posts are required to reach 6' and 8' lengths. 2' posts must be set in-line to panel.

CAUTION! IF INSTALLING LIGHTING, WIRING MUST BE INSTALLED PRIOR TO SECURING POSTS TO DECK SURFACE AND INSTALLING TOP RAIL SNAPS.

STEP ONE - Determine necessary posts required and prepare (end, center or corner post configurations) **Note: For 2" Posts, must install with center screw chases in-line with panel (Dia. C).**

- Refer to Stair Panel Install Instructions. Install lower clip on post and secure with (2) - #8x3/4" TEK screws. Clips are located in the Stair Panel Kit.

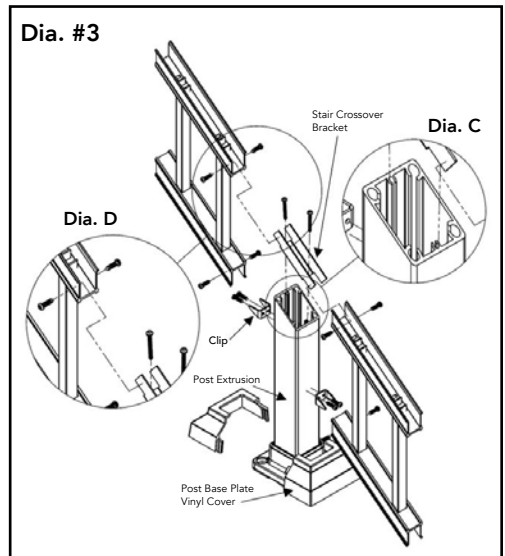
STEP TWO - Securing Posts to Deck

Install proper post blocking as per (Dia. #2). Use proper attachment screws or anchors as directed below. (Deck screws at each post location, are not included with kits).

- With 3/16" drill bit, pre-drill through deck boards and into blocking.
- Drill a 5/8" hole in center of four deck screw holes for lighting wires (optional).
- Level and plumb post using shims.
- Secure posts to deck with suggested screws.

STEP THREE - Install Stair Crossover Bracket and Base Plate Vinyl Cover

- With #2 Sq. driver bit, fasten stair crossover bracket (not included with post kit) into post with (2) - #8x1.5" TEK Screws. (Dia. C) **Note: TEK Screws must be installed in screw chases in-line with panels.**
- With #2 Sq. driver bit, fasten H-channel to stair crossover bracket with (4) - #8x3/4" TEK Screws. (Dia. D) Repeat for lower clips.
- Install base plate vinyl cover after railing assembly is completed. (Dia. #3)



POST-TO-SURFACE MOUNTING SCREWS:

- 3" Posts – Residential Deck Applications – 5/16" X 6" Exterior construction washer head lag screw
- 3" Posts – Commercial Deck Applications – 3/8" X 6" Exterior construction washer head lag screw
- 2" Posts – Res. & Com. Deck Applications – 3/8" x 6" Exterior construction washer head lag screw
- 3" Posts – Residential Concrete Applications – Tapcon 5/16" x 3" Hex Washer Head Concrete Anchor